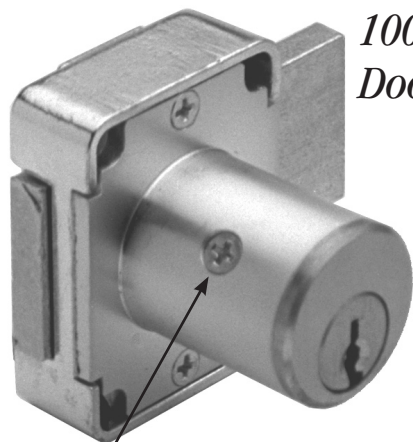


Product

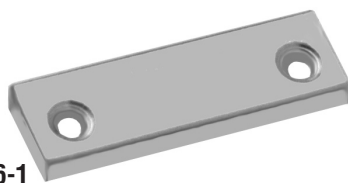
100/200 Series

*Door & Drawer Cabinet Locks
National D4291/D4292 Keyway*

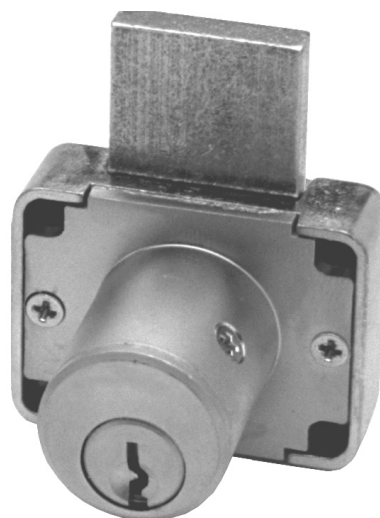


*100DR Series
Door Lock*

Cylinder retaining screw for quick and easy rekeying



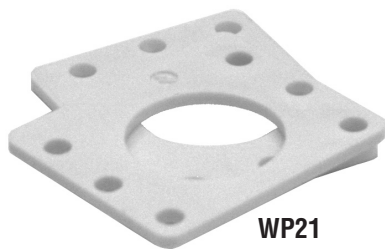
56-1
bar strike included



*200DW Series
Drawer Lock*

Solid brass cylinder

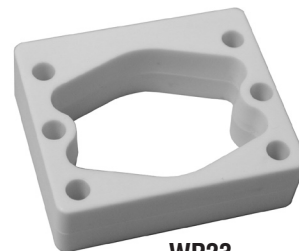
Internal spacers for a flush fit on varying material thicknesses



WP21



WP22



WP23

100/200 SERIES

Door & Drawer Cabinet Locks
National D4291/D4292 Keyway



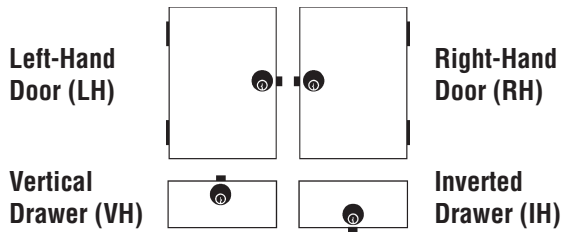
General Specifications

100 Series Cabinet Door Lock

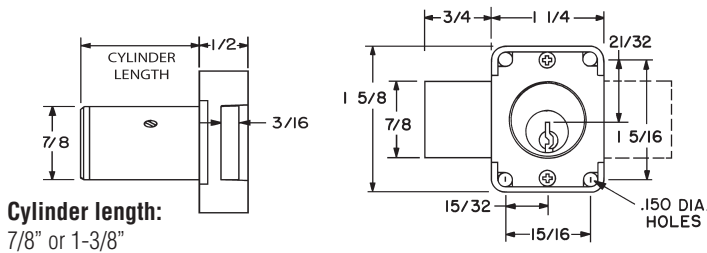
Rekeyable: Easily rekeyable via set-screw cylinder removal mechanism
Certifications: ANSI A156.11, grade 1 cycle testing, all other requirements at grade 2
Body: Zinc die cast
Bolt: Brass, 3/4" projection
Barrel length: 7/8" or 1-3/8"
Barrel diameter: 7/8"
Finish: US26D (satin chrome), US4 (satin brass) or US10B (oil rubbed bronze)
Cylinder: National D4291 keyway
Keying: KD/KA (4 pin standard), stock KA Nos. 101, 103, 107, 915. Master keying available (5 pin standard).
Standard function: Key removable in locked or unlocked position (non-handed).
Key-retaining function: Key removable in locked position only. Specify handing (LH or RH) at time of order.

200 Series Cabinet Drawer Lock

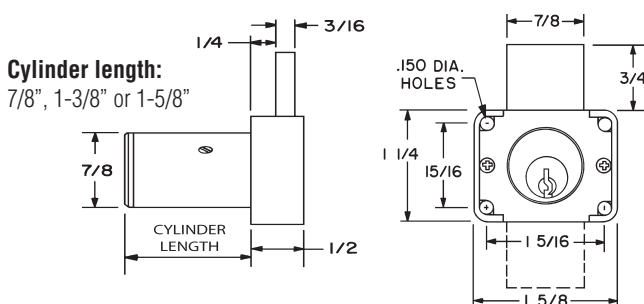
Rekeyable: Easily rekeyable via set-screw cylinder removal mechanism
Certifications: ANSI A156.11, grade 1 cycle testing, all other requirements at grade 2
Body: Zinc die cast
Bolt: Brass, 3/4" projection
Barrel length: 7/8", 1-3/8" or 1-5/8"
Barrel diameter: 7/8"
Finish: US26D (satin chrome), US4 (satin brass) or US10B (oil rubbed bronze)
Cylinder: National D4291 keyway
Keying: KD/KA (4 pin standard), stock KA Nos. 101, 103, 107, 915. Master keying available (5 pin standard).
Standard function: Key removable in locked or unlocked position (non-handed).
Key-retaining function: Key removable in locked position only. Specify handing (VH or IH) at time of order.



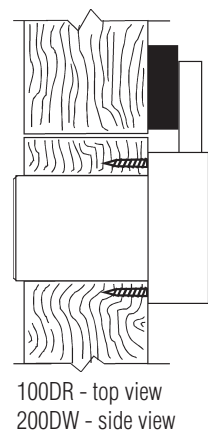
100 Series Dimensions



200 Series Dimensions



Typical Installation



Accessories

Includes:

- 56-1 bar strike
- Available separately:**
- WP21 3/32" thick plastic spacers
- WP22 1/4" thick plastic spacers
- WP23 1/2" thick plastic spacers
- 12-1, 12-2, 07S strikes
- TR1256 trim ring
- ETS2-125 - through-bolt plate, 1/8" thick
- ETS2-250 - through-bolt plate, 1/4" thick
- ETST2 - through-bolt plate template

Through-bolt plate (optional)

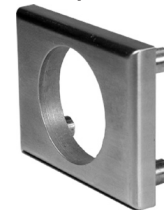
- External metal 1/8" or 1/4" through-bolt plate allows for an attractive flush mounting of the cabinet lock face
- Increases security of installation through reinforcement of cabinet face and direct connection of lock mounting screws to through-bolt plate's binder posts
- Available in US3 and US26D finishes
- Includes mounting screws

Through-bolt plate template (optional)

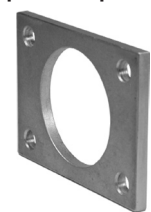
- Allows for proper mounting hole placement of through-bolt plate
- Can be used as a 1/8" shim spacer
- Available in US3 and US26D finishes

Optional trim spacers and templates can be used for through-bolt mounting of Olympus cabinet locks. Optional trim spacers and templates are available separately.

ETS2 Through-bolt plate



ETST2 Through-bolt plate template



U.S. Patent No. D490,686



ETS2-PL Through-bolt pull